



12.4 GHz N LATCHING S.P.D.T. SWITCH

OPTIONS: INDICATOR /SELF CUT-OFF

R F CHARACTERISTICS

FREQUENCY RANGE : 0 - 12.4 GHz
 IMPEDANCE : 50 Ohms

| | | | | | |
|-----------------|---------|---------|---------|---------|----------|
| FREQUENCY (GHz) | 0 - 1 | 1 - 2 | 2 - 3 | 3 - 8 | 8 - 12.4 |
| V.S.W.R <= | 1.15 | 1.20 | 1.25 | 1.35 | 1.50 |
| INSERT. LOSS <= | 0.15 dB | 0.20 dB | 0.25 dB | 0.35 dB | 0.50 dB |
| ISOLATION >= | 85 dB | 80 dB | 75 dB | 70 dB | 60 dB |
| AVER. POWER (*) | 350 W | 250 W | 150 W | 120 W | 100 W |

ELECTRICAL CHARACTERISTICS

ACTUATOR : LATCHING
 NOMINAL CURRENT AT 25° C (±10%) : 125 mA
 ACTUATOR VOLTAGE (Vcc) : 28V (24 to 30V) /POSITIVE COMMON
 TERMINALS : solder pins (250 Deg.C max./30 sec)
 INDICATOR RATING : 1 W / 30 V / 100 mA
 SELF CUT-OFF TIME : 40 ms < CT < 120 ms

MECHANICAL CHARACTERISTICS

CONNECTORS : N fem. per MIL C 39012
 LIFE : 1.000.000 cycles
 SWITCHING TIME (nominal voltage;25° C) : < 15 ms
 CONSTRUCTION : splashproof
 WEIGHT : < 185 g

ENVIRONMENTAL CHARACTERISTICS

OPERATING TEMPERATURE RANGE (°C) : -40 , +85
 STORAGE TEMPERATURE RANGE (°C) : -55 , +85

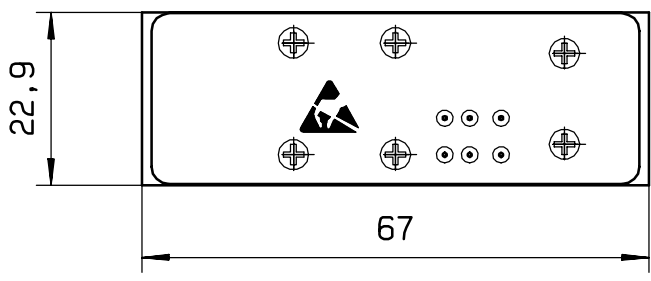
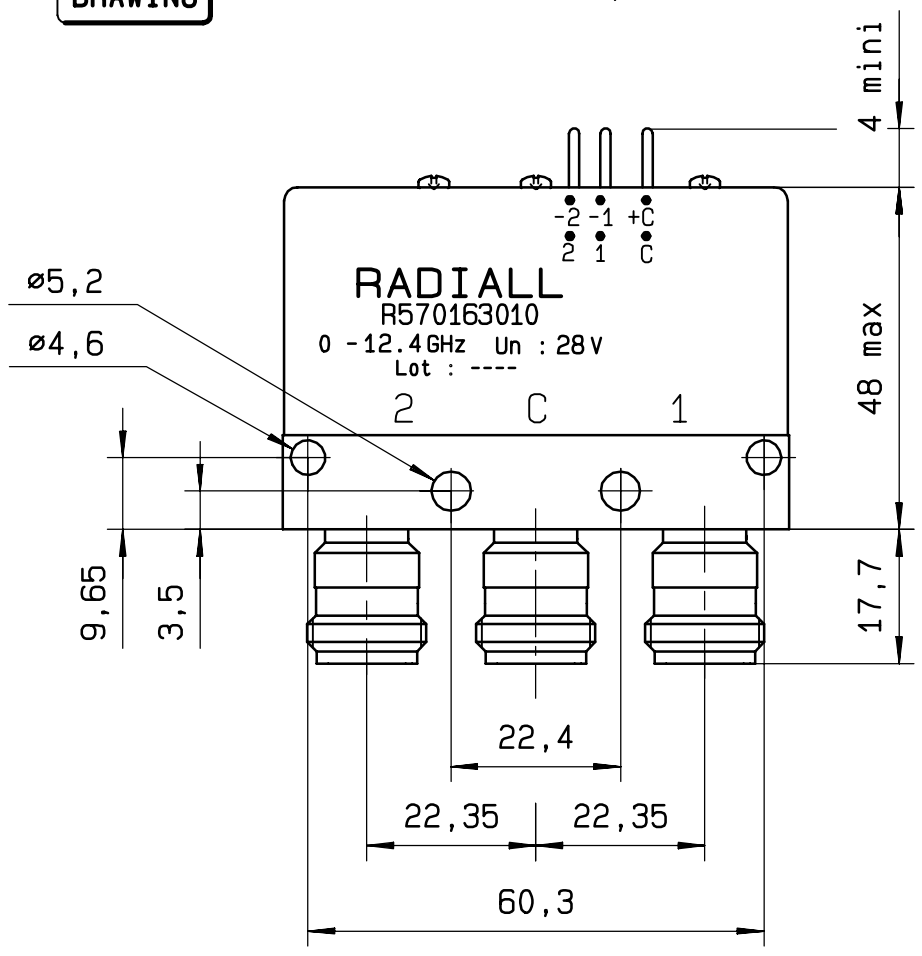
(* : average power at 25° C)

This information is given as an indication. In the continual goal to improve our products, we reserve the right to make any modifications judged necessary

4112-9212

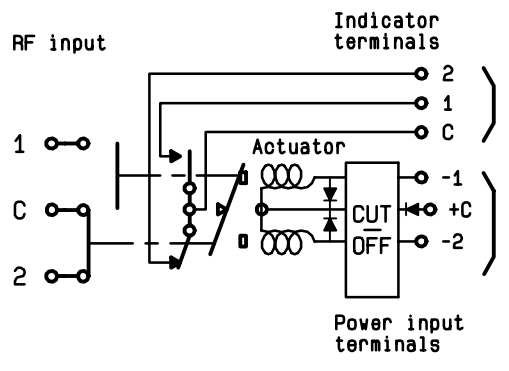
DRAWING

General tolerance: ± 0,5 mm



SCHEMATIC DIAGRAM

| Voltage | RF continuity | Indicator |
|---------|---------------|-----------|
| + C - 1 | C ↔ 1 | C . 1 |
| + C - 2 | C ↔ 2 | C . 2 |



4113-9212 This information is given as an indication. In the continual goal to improve our products, we reserve the right to make any modifications judged necessary